

HSK-A



HSK-A

HSK是中空短圓錐刀桿

始於1991年德國阿亨大學開發

1993年成為德國規範DIN69893-1~6:1993

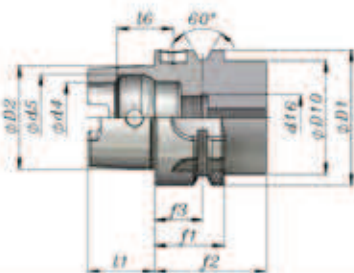
共有A, B, C, D, E & F六種錐度形式

2001年成為ISO規範ISO12164-1:2001

並將原本1/10的錐度改為1/9.98

確保錐度與端面兩面接觸時

中空短圓錐的大端能確實接觸



HSK is hollow shank short taper toolholder

It was developed by Achen University in Germany in 1991

In 1993, Germany published it as norm DIN69893-1~6:1993

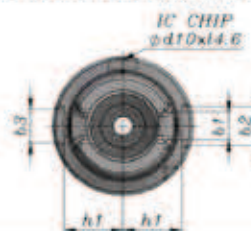
There are six different type of HSK: A, B, C, D, E & F

In 2001, ISO published it as norm ISO12164-1:2001

ISO revised the taper angle from 1:10 to 1:9.98

It was to make sure the taper D2 will contact the spindle

when HSK toolholder has dual contact on taper and face



CLAMPING FORCE	HSK-A032	HSK-A040	HSK-A050	HSK-A063	HSK-A080	HSK-A100
	5KN	6.8KN	11KN	18KN	28KN	45KN

TAPER	HSK-A032	HSK-A040	HSK-A050	HSK-A063	HSK-A080	HSK-A100
ØD1 h10	32	40		63	80	100
ØD2	24 +0.007/+0.005	30 +0.007/+0.005	38 +0.009/+0.006	48 +0.011/+0.007	60 +0.013/+0.008	75 +0.015/+0.009
Ød4 H10	17	21		34	42	53
Ød5 H11	21.0	25.5		40.0	50.0	63.0
Ød10 max.	26	34		53	67	85
d16	M10*P1.0	M12*P1.0	M16*P1.0	M18*P1.0	M20*P1.5	M24*P1.5
f1 +0.0/-0.1	20	20		26	26	29
f2 min.	35	35		42	42	45
f3 +/-0.1	16	16		18	18	20
l1 +0.0/-0.2	16	20		32	40	50
l6 JS10	8.92	11.42		18.13	22.85	28.56
h1 +0.0/-0.2	13.0	17.0		26.5	34.0	44.0
b1 +0.04/-0.04	7.05	8.05		12.54	16.04	20.02
b2 H10	7	9		16	18	20
b3 H10	9	11		18	20	22

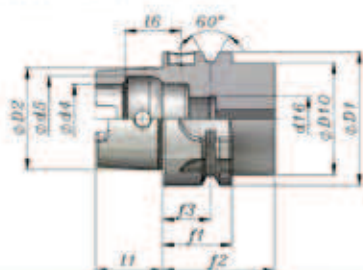
HSK-T

日本於2001年公佈HSK-ICTM

規範車銑複合機使用的刀桿

ISO在2008年將其納入規範ISO12164-4:2008

稱為HSK-T刀桿

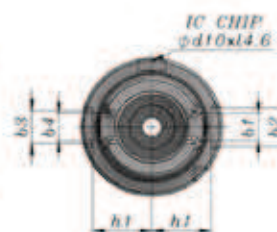


In 2001, Japanese published HSK-ICTM

It was a new norm of HSK toolholders for CNC mill/turn machines

In 2003, ISO published it as norm ISO12164-4:2008

It is called HSK-T toolholders

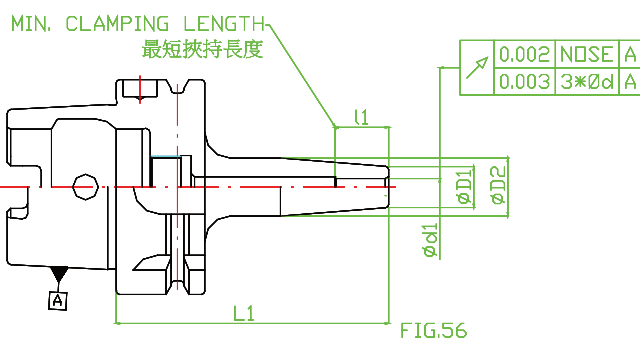


CLAMPING FORCE	HSK-T032	HSK-T040	HSK-T050	HSK-T063	HSK-T080	HSK-T100
	6.5KN~7.5KN	8.84KN~10.2KN	14.3KN~16.5KN	23.4KN~28KN	36.4KN~42KN	58.5KN~67.5KN

TAPER	HSK-T032	HSK-T040	HSK-T050	HSK-T063	HSK-T080	HSK-T100
Ød10 max.	31	39		62	79	99
f2 min.	23	23		30	30	34
b1 +0.04/-0.04	7.05	8.05		12.54	16.04	20.02
b4	6.932 +0.030/-0.0	7.932 +0.030/-0.0	10.425 +0.035/-0.0	12.425 +0.035/-0.0	15.930 +0.035/-0.0	19.910 +0.035/-0.0

Shrink fit chucks

熱膨脹燒結刀桿



動平衡G2.5/25,000RPM或小於1gmm // BALANCE TO G2.5/25,000RPM OR UNDER 1gmm

STOCK	CODE	FIG.	L1	L2	ØD1	ØD2	ØD3	Ød	I1-min. 最短夾持長度 Min. Clamping Length	I2-max. 最長夾持長度 Max. Clamping Length	止動螺絲 (M) Screw Page 153	重量 (KG) Weight
	HSK-A032-EZ03-065	56	65	-	15	20	-	3	15	-	-	0.20
	HSK-A032-EZ04-065	56	65	-	15	20	-	4	17	-	-	0.20
	HSK-A032-EZ05-065	56	65	-	15	20	-	5	17	-	-	0.20
STOCK	CODE	FIG.	L1	L2	ØD1	ØD2	ØD3	Ød	I1-min.	I2-max.	止動螺絲 (M) Screw Page 153	W(KG)
	HSK-A040-EZ03-065	56	65	-	12	17	-	3	15	-	-	0.30
	HSK-A040-EZ04-065	56	65	-	12	17	-	4	17	-	-	0.30
	HSK-A040-EZ05-065	56	65	-	12	17	-	5	17	-	-	0.30
STOCK	CODE	FIG.	L1	L2	ØD1	ØD2	ØD3	Ød	I1-min.	I2-max.	止動螺絲 (M) Screw Page 153	W(KG)
	HSK-A050-EZ03-060	56	60	-	12	17	-	3	15	-	-	0.50
	HSK-A050-EZ04-060	56	60	-	12	17	-	4	17	-	-	0.50
	HSK-A050-EZ05-080	56	80	-	12	17	-	5	17	-	-	0.50
STOCK	CODE	FIG.	L1	L2	ØD1	ØD2	ØD3	Ød	I1-min.	I2-max.	止動螺絲 (M) Screw Page 153	W(KG)
	HSK-A063-EZ03-080	56	80	-	12	17	-	3	15	-	-	0.70
	HSK-A063-EZ03-120	56	120	-	12	17	-	3	15	-	-	1.00
	HSK-A063-EZ03-160	56	160	-	12	17	-	3	15	-	-	1.30
	HSK-A063-EZ04-080	56	80	-	12	17	-	4	17	-	-	0.70
	HSK-A063-EZ04-120	56	120	-	12	17	-	4	17	-	-	1.00
	HSK-A063-EZ04-160	56	160	-	12	17	-	4	17	-	-	1.30
	HSK-A063-EZ05-080	56	80	-	12	17	-	5	17	-	-	0.70
	HSK-A063-EZ05-120	56	120	-	12	17	-	5	17	-	-	1.00
	HSK-A063-EZ05-160	56	160	-	12	17	-	5	17	-	-	1.30

STOCK ◎=標準在庫品 // STOCK ◎=regular stock | STOCK ○=少量在庫品 // STOCK ○=few stock | STOCK 無標示=接單生產品 // STOCK BLANK=on request

HSK-A-EZ

Shrink fit chucks

熱膨脹燒結刀桿

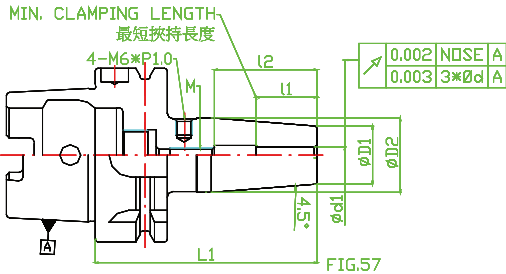


FIG.57

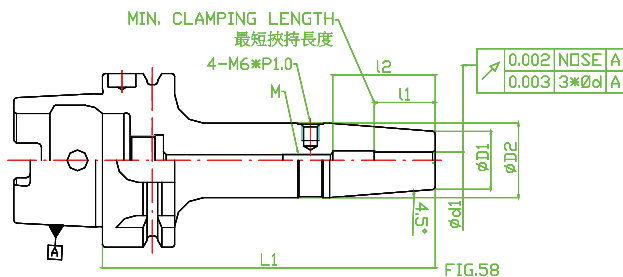


FIG.58

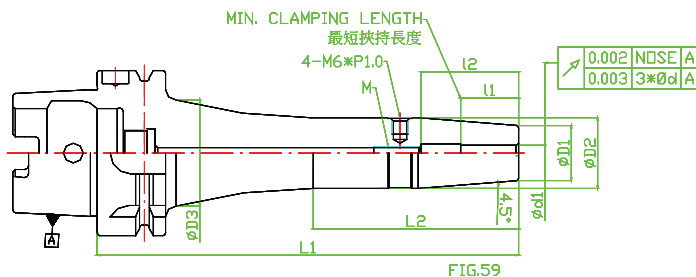


FIG.59



動平衡G2.5/25,000RPM或小於1gmm // BALANCE TO G2.5/25,000RPM OR UNDER 1gmm

STOCK	CODE	FIG.	L1	L2	ØD1	ØD2	ØD3	Ød	I1-min. 最短夾持長度 Min. Clamping Length	I2-max. 最長夾持長度 Max. Clamping Length	止動螺絲 (M) Screw Page 153	重量 (KG) Weight
	HSK-A032-EZ06-075	57	75	-	21	26	-	6	23	37	M5*P0.8	0.40
	HSK-A032-EZ08-075	57	75	-	21	26	-	8	27	37	M6*P1.0	0.40
	HSK-A032-EZ10-075	57	75	-	24	30	-	10	32	42	M8*P1.0	0.40
	HSK-A032-EZ12-080	57	80	-	24	31	-	12	37	48	M10*P1.0	0.40
STOCK	CODE	FIG.	L1	L2	ØD1	ØD2	ØD3	Ød	I1-min. 最短夾持長度 Min. Clamping Length	I2-max. 最長夾持長度 Max. Clamping Length	止動螺絲 (M) Screw Page 153	重量 (KG) Weight
	HSK-A040-EZ06-080	57	80	-	21	27	-	6	23	37	M5*P0.8	0.50
	HSK-A040-EZ08-080	57	80	-	21	27	-	8	27	37	M6*P1.0	0.50
	HSK-A040-EZ10-080	57	80	-	24	32	-	10	32	42	M8*P1.0	0.50
	HSK-A040-EZ12-090	57	90	-	24	32	-	12	37	48	M10*P1.0	0.60
	HSK-A040-EZ14-090	57	90	-	27	34	-	14	37	48	M10*P1.0	0.60
	HSK-A040-EZ16-090	57	90	-	27	34	-	16	40	51	M12*P1.0	0.60
STOCK	CODE	FIG.	L1	L2	ØD1	ØD2	ØD3	Ød	I1-min. 最短夾持長度 Min. Clamping Length	I2-max. 最長夾持長度 Max. Clamping Length	止動螺絲 (M) Screw Page 153	重量 (KG) Weight
	HSK-A050-EZ06-080	57	80	-	21	27	-	6	23	37	M5*P0.8	0.70
	HSK-A050-EZ08-080	57	80	-	21	27	-	8	27	37	M6*P1.0	0.70
	HSK-A050-EZ10-085	57	85	-	24	32	-	10	32	42	M8*P1.0	0.80
	HSK-A050-EZ12-090	57	90	-	24	32	-	12	37	48	M10*P1.0	0.80
	HSK-A050-EZ14-090	57	90	-	27	34	-	14	37	48	M10*P1.0	0.80
	HSK-A050-EZ16-095	57	95	-	27	34	-	16	40	51	M12*P1.0	0.80
	HSK-A050-EZ18-095	57	95	-	33	42	-	18	40	51	M12*P1.0	0.90
	HSK-A050-EZ20-100	57	100	-	33	42	-	20	42	53	M16*P1.0	0.90

產品 FIG. 57, 58 & 59 出貨附件為長度調整螺絲 BK-EZ-Mxx*1pc // PRODUCTS IN FIG. 57, 58 & 59 EQUIP WITH BACK UP SCREW BK-EZ-Mxx*1PC
 STOCK ○=標準在庫品 // STOCK ○=regular stock | STOCK ○=少量在庫品 // STOCK ○=few stock | STOCK 無標示=接單生產品 //
 STOCK BLANK=on request

■ Shrink fit chucks

● 熱膨脹燒結刀桿

動平衡G2.5/25,000RPM或小於1gmm // BALANCE TO G2.5/25,000RPM OR UNDER 1gmm

STOCK	CODE	FIG.	L1	L2	ØD1	ØD2	ØD3	Ød	I1-min. 最短夾持長度 Min. Clamping Length	I2-max. 最長夾持長度 Max. Clamping Length	止動螺絲 (M) Screw Page 153	重量 (KG) Weight
	HSK-A063-EZ06-080	57	80	-	21	27	-	6	23	37	M5*P0.8	0.80
	HSK-A063-EZ06-120	58	120	-	21	27	-	6	23	37	M5*P0.8	1.10
	HSK-A063-EZ06-130	58	130	-	21	27	-	6	23	37	M5*P0.8	1.20
	HSK-A063-EZ06-160	59	160	78	21	27	41	6	23	37	M5*P0.8	1.40
	HSK-A063-EZ06-200	59	200	118	21	27	41	6	23	37	M5*P0.8	1.80
	HSK-A063-EZ08-080	57	80	-	21	27	-	8	27	37	M6*P1.0	0.80
	HSK-A063-EZ08-120	58	120	-	21	27	-	8	27	37	M6*P1.0	1.10
	HSK-A063-EZ08-130	58	130	-	21	27	-	8	27	37	M6*P1.0	1.20
	HSK-A063-EZ08-160	59	160	78	21	27	41	8	27	37	M6*P1.0	1.40
	HSK-A063-EZ08-200	59	200	118	21	27	41	8	27	37	M6*P1.0	1.80
	HSK-A063-EZ10-085	57	85	-	24	32	-	10	32	42	M8*P1.0	0.90
	HSK-A063-EZ10-120	58	120	-	24	32	-	10	32	42	M8*P1.0	1.20
	HSK-A063-EZ10-130	58	130	-	24	32	-	10	32	42	M8*P1.0	1.30
	HSK-A063-EZ10-160	59	160	78	24	32	40	10	32	42	M8*P1.0	1.50
	HSK-A063-EZ10-200	59	200	118	24	32	40	10	32	42	M8*P1.0	1.90
	HSK-A063-EZ12-090	57	90	-	24	32	-	12	37	48	M10*P1.0	0.90
	HSK-A063-EZ12-120	58	120	-	24	32	-	12	37	48	M10*P1.0	1.20
	HSK-A063-EZ12-130	58	130	-	24	32	-	12	37	48	M10*P1.0	1.30
	HSK-A063-EZ12-160	59	160	78	24	32	40	12	37	48	M10*P1.0	1.50
	HSK-A063-EZ12-200	59	200	118	24	32	40	12	37	48	M10*P1.0	1.90
	HSK-A063-EZ14-090	57	90	-	27	34	-	14	37	48	M10*P1.0	0.90
	HSK-A063-EZ14-120	58	120	-	27	34	-	14	37	48	M10*P1.0	1.20
	HSK-A063-EZ14-130	58	130	-	27	34	-	14	37	48	M10*P1.0	1.30
	HSK-A063-EZ14-160	59	160	78	27	34	42	14	37	48	M10*P1.0	1.50
	HSK-A063-EZ14-200	59	200	118	27	34	42	14	37	48	M10*P1.0	1.90
	HSK-A063-EZ16-095	57	95	-	27	34	-	16	40	51	M12*P1.0	0.90
	HSK-A063-EZ16-120	58	120	-	27	34	-	16	40	51	M12*P1.0	1.20
	HSK-A063-EZ16-130	58	130	-	27	34	-	16	40	51	M12*P1.0	1.30
	HSK-A063-EZ16-160	59	160	78	27	34	42	16	40	51	M12*P1.0	1.50
	HSK-A063-EZ16-200	59	200	118	27	34	42	16	40	51	M12*P1.0	1.90
	HSK-A063-EZ18-095	57	95	-	33	42	-	18	40	51	M12*P1.0	1.00
	HSK-A063-EZ18-120	58	120	-	33	42	-	18	40	51	M12*P1.0	1.30
	HSK-A063-EZ18-130	58	130	-	33	42	-	18	40	51	M12*P1.0	1.40
	HSK-A063-EZ18-160	58	160	-	33	42	-	18	40	51	M12*P1.0	1.60
	HSK-A063-EZ18-200	58	200	-	33	42	-	18	40	51	M12*P1.0	2.00
	HSK-A063-EZ20-100	57	100	-	33	42	-	20	42	53	M16*P1.0	1.00
	HSK-A063-EZ20-120	58	120	-	33	42	-	20	42	53	M16*P1.0	1.30
	HSK-A063-EZ20-130	58	130	-	33	42	-	20	42	53	M16*P1.0	1.40
	HSK-A063-EZ20-160	58	160	-	33	42	-	20	42	53	M16*P1.0	1.60
	HSK-A063-EZ20-200	58	200	-	33	42	-	20	42	53	M16*P1.0	2.00
	HSK-A063-EZ25-115	57	115	-	44	53	-	25	48	59	M16*P1.0	1.90
	HSK-A063-EZ25-130	58	130	-	44	53	-	25	48	59	M16*P1.0	2.00
	HSK-A063-EZ25-160	58	160	-	44	53	-	25	48	59	M16*P1.0	2.20
	HSK-A063-EZ25-200	58	200	-	44	53	-	25	48	59	M16*P1.0	2.60
	HSK-A063-EZ32-120	57	120	-	44	53	-	32	52	63	M16*P1.0	1.90

STOCK ◎=標準在庫品 // STOCK ○=regular stock | STOCK ○=少量在庫品 // STOCK ○=few stock | STOCK無標示=接單生產 // STOCK BLANK=request

HSK-A-EZ

■ Shrink fit chucks

● 熱膨脹燒結刀桿

動平衡G2.5/25,000RPM或小於1gmm // BALANCE TO G2.5/25,000RPM OR UNDER 1gmm

STOCK	CODE	FIG.	L1	L2	ØD1	ØD2	ØD3	Ød	l1-min. 最短夾持長度 Min. Clamping Length	l2-max. 最長夾持長度 Max. Clamping Length	止動螺絲 (M) Screw Page 153	重量 (KG) Weight
	HSK-A080-EZ06-085	57	85	-	21	27	-	6	23	37	M5*P0.8	1.40
	HSK-A080-EZ06-160	59	160	78	21	27	41	6	23	37	M5*P0.8	2.00
	HSK-A080-EZ08-085	57	85	-	21	27	-	8	27	37	M6*P1.0	1.40
	HSK-A080-EZ08-160	59	160	78	21	27	41	8	27	37	M6*P1.0	2.00
	HSK-A080-EZ10-090	57	90	-	24	32	-	10	32	42	M8*P1.0	1.50
	HSK-A080-EZ10-160	59	160	78	24	32	40	10	32	42	M8*P1.0	2.10
	HSK-A080-EZ12-095	57	95	-	24	32	-	12	37	48	M10*P1.0	1.50
	HSK-A080-EZ12-160	59	160	78	24	32	40	12	37	48	M10*P1.0	2.10
	HSK-A080-EZ14-095	57	95	-	27	34	-	14	37	48	M10*P1.0	1.50
	HSK-A080-EZ16-100	59	100	-	27	34	-	16	40	51	M12*P1.0	1.50
	HSK-A080-EZ16-160	57	160	78	27	34	42	16	40	51	M12*P1.0	2.10
	HSK-A080-EZ18-100	58	100	-	33	42	-	18	40	51	M12*P1.0	1.60
	HSK-A080-EZ20-105	57	105	-	33	42	-	20	42	53	M16*P1.0	1.60
	HSK-A080-EZ20-160	58	160	-	33	42	-	20	42	53	M16*P1.0	2.00
	HSK-A080-EZ25-115	57	115	-	44	53	-	25	48	59	M16*P1.0	2.50
	HSK-A080-EZ25-160	58	160	-	44	53	-	25	48	59	M16*P1.0	2.80
	HSK-A080-EZ32-120	57	120	-	44	53	-	32	52	63	M16*P1.0	2.50

產品FIG.57, 58 & 59出貨附件為長度調整螺絲BK-EZ-Mxx*1pc // PRODUCTS IN FIG.57, 58 & 59 EQUIP WITH BACK UP SCREW BK-EZ-Mxx*1PC
 STOCK ◎=標準在庫品 // STOCK ○=regular stock | STOCK ○=少量在庫品 // STOCK ○=few stock | STOCK無標示=接單生產品 //
 STOCK BLANK=on request

■ Shrink fit chucks

● 熱膨脹燒結刀桿

動平衡G2.5/25,000RPM或小於1gmm // BALANCE TO G2.5/25,000RPM OR UNDER 1gmm

STOCK	CODE	FIG.	L1	L2	ØD1	ØD2	ØD3	Ød	I1-min. 最短夾持長度 Min. Clamping Length	I2-max. 最長夾持長度 Max. Clamping Length	止動螺絲 (M) Screw Page 153	重量 (KG) Weight
	HSK-A100-EZ06-085	57	85	-	21	27	-	6	23	37	M5*P0.8	2.20
	HSK-A100-EZ06-120	58	120	-	21	27	-	6	23	37	M5*P0.8	2.50
	HSK-A100-EZ06-130	58	130	-	21	27	-	6	23	37	M5*P0.8	2.60
	HSK-A100-EZ06-160	59	160	70	21	27	41	6	23	37	M5*P0.8	2.80
	HSK-A100-EZ06-200	59	200	110	21	27	41	6	23	37	M5*P0.8	3.20
	HSK-A100-EZ08-085	57	85	-	21	27	-	8	27	37	M6*P1.0	2.20
	HSK-A100-EZ08-120	58	120	-	21	27	-	8	27	37	M6*P1.0	2.50
	HSK-A100-EZ08-130	58	130	-	21	27	-	8	27	37	M6*P1.0	2.60
	HSK-A100-EZ08-160	59	160	70	21	27	41	8	27	37	M6*P1.0	2.80
	HSK-A100-EZ08-200	59	200	110	21	27	41	8	27	37	M6*P1.0	3.20
	HSK-A100-EZ10-090	57	90	-	24	32	-	10	32	42	M8*P1.0	2.30
	HSK-A100-EZ10-120	58	120	-	24	32	-	10	32	42	M8*P1.0	2.60
	HSK-A100-EZ10-130	58	130	-	24	32	-	10	32	42	M8*P1.0	2.70
	HSK-A100-EZ10-160	59	160	70	24	32	40	10	32	42	M8*P1.0	2.90
	HSK-A100-EZ10-200	59	200	110	24	32	40	10	32	42	M8*P1.0	3.30
	HSK-A100-EZ12-095	57	95	-	24	32	-	12	37	48	M10*P1.0	2.30
	HSK-A100-EZ12-120	58	120	-	24	32	-	12	37	48	M10*P1.0	2.60
	HSK-A100-EZ12-130	58	130	-	24	32	-	12	37	48	M10*P1.0	2.70
	HSK-A100-EZ12-160	59	160	70	24	32	40	12	37	48	M10*P1.0	2.90
	HSK-A100-EZ12-200	59	200	110	24	32	40	12	37	48	M10*P1.0	3.30
	HSK-A100-EZ14-095	57	95	-	27	34	-	14	37	48	M10*P1.0	2.30
	HSK-A100-EZ14-120	58	120	-	27	34	-	14	37	48	M10*P1.0	2.60
	HSK-A100-EZ14-130	58	130	-	27	34	-	14	37	48	M10*P1.0	2.70
	HSK-A100-EZ14-160	59	160	70	27	34	42	14	37	48	M10*P1.0	2.90
	HSK-A100-EZ14-200	59	200	110	27	34	42	14	37	48	M10*P1.0	3.30
	HSK-A100-EZ16-100	57	100	-	27	34	-	16	40	51	M12*P1.0	2.30
	HSK-A100-EZ16-120	58	120	-	27	34	-	16	40	51	M12*P1.0	2.60
	HSK-A100-EZ16-130	58	130	-	27	34	-	16	40	51	M12*P1.0	2.70
	HSK-A100-EZ16-160	59	160	70	27	34	42	16	40	51	M12*P1.0	2.90
	HSK-A100-EZ16-200	59	200	110	27	34	42	16	40	51	M12*P1.0	3.30
	HSK-A100-EZ18-100	57	100	-	33	42	-	18	40	51	M12*P1.0	2.40
	HSK-A100-EZ18-120	58	120	-	33	42	-	18	40	51	M12*P1.0	2.70
	HSK-A100-EZ18-130	58	130	-	33	42	-	18	40	51	M12*P1.0	2.80
	HSK-A100-EZ18-160	58	160	75	33	42	48	18	40	51	M12*P1.0	3.00
	HSK-A100-EZ18-200	58	200	115	33	42	48	18	40	51	M12*P1.0	3.40
	HSK-A100-EZ20-105	57	105	-	33	42	-	20	42	53	M16*P1.0	2.40
	HSK-A100-EZ20-120	58	120	-	33	42	-	20	42	53	M16*P1.0	2.70
	HSK-A100-EZ20-130	58	130	-	33	42	-	20	42	53	M16*P1.0	2.80
	HSK-A100-EZ20-160	58	160	75	33	42	48	20	42	53	M16*P1.0	3.00
	HSK-A100-EZ20-200	58	200	115	33	42	48	20	42	53	M16*P1.0	3.40
	HSK-A100-EZ25-115	57	115	-	44	53	-	25	48	59	M16*P1.0	3.20
	HSK-A100-EZ25-130	58	130	-	44	53	-	25	48	59	M16*P1.0	3.40
	HSK-A100-EZ25-160	58	160	70	44	53	60	25	48	59	M16*P1.0	3.60
	HSK-A100-EZ25-200	58	200	110	44	53	60	25	48	59	M16*P1.0	4.00
	HSK-A100-EZ32-120	57	120	-	44	53	-	32	52	63	M16*P1.0	3.20
	HSK-A100-EZ32-160	58	160	70	44	53	60	32	52	63	M16*P1.0	3.20
	HSK-A100-EZ32-200	58	200	110	44	53	60	32	52	63	M16*P1.0	4.00

產品FIG. 57, 58 & 59出貨附件為長度調整螺絲BK-EZ-Mxx*1pc // PRODUCTS IN FIG. 57, 58 & 59 EQUIP WITH BACK UP SCREW BK-EZ-Mxx*1PC
 STOCK ◎=標準在庫品 // STOCK ◎=regular stock | STOCK ○=少量在庫品 // STOCK ○=few stock | STOCK無標示=接單生產品 //
 STOCK BLANK=on request

HSK-A-EZKK

Shrink fit chucks with coolant through nose

鼻端噴水熱膨脹燒結刀桿

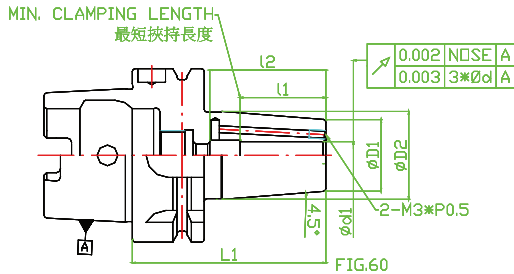


FIG.60

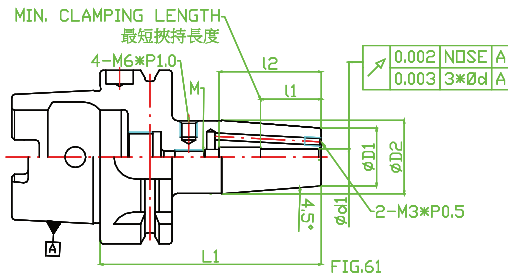


FIG.61

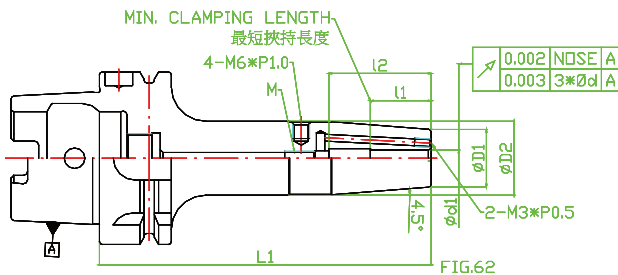


FIG.62



動平衡G2.5/25,000RPM或小於1gmm // BALANCE TO G2.5/25,000RPM OR UNDER 1gmm

STOCK	CODE	FIG.	L1	L2	ØD1	ØD2	ØD3	Ød	l1-min. 最短夾持長度 Min. Clamping Length	l2-max. 最長夾持長度 Max. Clamping Length	止動螺絲 (M) Screw Page 153	重量 (KG) Weight
	HSK-A063-EZ06-080KK	61	80	-	21	27	-	6	23	37	M5*P0.8	0.80
	HSK-A063-EZ06-120KK	62	120	-	21	27	-	6	23	37	M5*P0.8	1.10
	HSK-A063-EZ08-080KK	61	80	-	21	27	-	8	27	37	M6*P1.0	0.80
	HSK-A063-EZ08-120KK	62	120	-	21	27	-	8	27	37	M6*P1.0	1.10
	HSK-A063-EZ10-070KK	60	70	-	24	32	-	10	32	-	-	0.80
	HSK-A063-EZ10-085KK	61	85	-	24	32	-	10	32	42	M8*P1.0	0.90
	HSK-A063-EZ10-120KK	62	120	-	24	32	-	10	32	42	M8*P1.0	1.20
	HSK-A063-EZ12-070KK	60	70	-	24	32	-	12	37	-	-	0.80
	HSK-A063-EZ12-090KK	61	90	-	24	32	-	12	37	48	M10*P1.0	0.90
	HSK-A063-EZ12-120KK	62	120	-	24	32	-	12	37	48	M10*P1.0	1.20
	HSK-A063-EZ14-090KK	61	90	-	27	34	-	14	37	48	M10*P1.0	0.90
	HSK-A063-EZ14-120KK	62	120	-	27	34	-	14	37	48	M10*P1.0	1.20
	HSK-A063-EZ16-075KK	60	75	-	27	34	-	16	40	-	-	0.80
	HSK-A063-EZ16-095KK	61	95	-	27	34	-	16	40	51	M12*P1.0	0.90
	HSK-A063-EZ16-120KK	62	120	-	27	34	-	16	40	51	M12*P1.0	1.20
	HSK-A063-EZ18-095KK	61	95	-	33	42	-	18	40	51	M12*P1.0	1.00
	HSK-A063-EZ18-120KK	62	120	-	33	42	-	18	40	51	M12*P1.0	1.30
	HSK-A063-EZ20-075KK	60	75	-	33	42	-	20	42	-	-	0.90
	HSK-A063-EZ20-100KK	61	100	-	33	42	-	20	42	53	M16*P1.0	1.00
	HSK-A063-EZ20-120KK	62	120	-	33	42	-	20	42	53	M16*P1.0	1.30
	HSK-A063-EZ25-085KK	60	85	-	44	53	-	25	48	-	-	1.50
	HSK-A063-EZ25-115KK	61	115	-	44	53	-	25	48	59	M16*P1.0	1.90

產品FIG.61 & 62出貨附件為長度調整螺絲BK-EZKK-Mxx*1pc // PRODUCTS IN FIG.61 & 62 EQUIP WITH BACK UP SCREW BK-EZKK-Mxx*1PC
 產品FIG.61 & 62出貨附件為止水螺絲M3*P0.5-4L*2pc // PRODUCTS IN FIG.61 & 62 EQUIP WITH SEAL SCREW M3*P0.5-4L*2PCS
 STOCK ○=標準在庫品 // STOCK ○=regular stock | STOCK ○=少量在庫品 // STOCK ○=few stock | STOCK ○=無標示=接單生產 // STOCK BLANK=on request

■ Shrink fit chucks with coolant through nose

● 鼻端噴水熱膨脹燒結刀桿

動平衡G2.5/25,000RPM或小於1gmm // BALANCE TO G2.5/25,000RPM OR UNDER 1gmm

STOCK	CODE	FIG.	L1	L2	ØD1	ØD2	ØD3	Ød	I1-min. 最短夾持長度 Min. Clamping Length	I2-max. 最長夾持長度 Max. Clamping Length	止動螺絲 (M) Screw Page 153	重量 (KG) Weight
	HSK-A100-EZ06-085KK	61	85	-	21	27	-	6	23	37	M5*P0.8	2.20
	HSK-A100-EZ08-085KK	61	85	-	21	27	-	8	27	37	M6*P1.0	2.20
	HSK-A100-EZ10-090KK	61	90	-	24	32	-	10	32	42	M8*P1.0	2.30
	HSK-A100-EZ12-095KK	61	95	-	24	32	-	12	37	48	M10*P1.0	2.30
	HSK-A100-EZ14-095KK	61	95	-	27	34	-	14	37	48	M10*P1.0	2.30
	HSK-A100-EZ16-100KK	61	100	-	27	34	-	16	40	51	M12*P1.0	2.30
	HSK-A100-EZ18-100KK	61	100	-	33	42	-	18	40	51	M12*P1.0	2.40
	HSK-A100-EZ20-105KK	61	105	-	33	42	-	20	42	53	M16*P1.0	2.40
	HSK-A100-EZ25-115KK	61	115	-	44	53	-	25	48	59	M16*P1.0	3.00

產品FIG.61 & 62出貨附件為長度調整螺絲BK-EZKK-Mxx*1pc // PRODUCTS IN FIG.61 & 62 EQUIP WITH BACK UP SCREW BK-EZKK-Mxx*1PC

產品FIG.61 & 62出貨附件為止水螺絲M3*P0.5-4L*2pc // PRODUCTS IN FIG.61 & 62 EQUIP WITH SEAL SCREW M3*P0.5-4L*2PCS

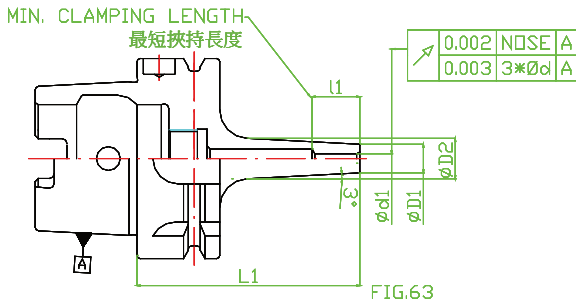
STOCK ◎=標準在庫品 // STOCK ◎=regular stock | STOCK ○=少量在庫品 // STOCK ○=few stock | STOCK 無標示=接單生產品 //

STOCK BLANK=on request

HSK-A-EZSS

■ SlimSuper shrink fit chucks

● 超細型熱膨脹燒結刀桿



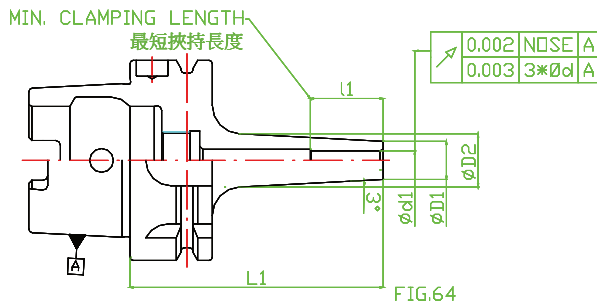
動平衡G2.5/25,000RPM或小於1gmm // BALANCE TO G2.5/25,000RPM OR UNDER 1gmm

STOCK	CODE	FIG.	L1	L2	ØD1	ØD2	ØD3	Ød	I1-min. 最短夾持長度 Min. Clamping Length	I2-max. 最長夾持長度 Max. Clamping Length	止動螺絲 (M) Screw Page 153	重量 (KG) Weight
	HSK-A040-EZ03SS-070	63	70	-	9	16	-	3	15	-	-	0.40
	HSK-A040-EZ04SS-070	63	70	-	10	17	-	4	15	-	-	0.40
	HSK-A040-EZ05SS-070	63	70	-	11	18	-	5	17	-	-	0.40
STOCK	CODE	FIG.	L1	L2	ØD1	ØD2	ØD3	Ød	I1-min. 最短夾持長度 Min. Clamping Length	I2-max. 最長夾持長度 Max. Clamping Length	止動螺絲 (M) Screw Page 153	重量 (KG) Weight
	HSK-A063-EZ03SS-070	63	70	-	9	13	-	3	15	-	-	0.60
	HSK-A063-EZ03SS-100	63	100	-	9	16	-	3	15	-	-	0.90
	HSK-A063-EZ03SS-130	63	130	-	9	19	-	3	15	-	-	1.30
	HSK-A063-EZ04SS-070	63	70	-	10	14	-	4	17	-	-	0.60
	HSK-A063-EZ04SS-100	63	100	-	10	17	-	4	17	-	-	0.90
	HSK-A063-EZ04SS-130	63	130	-	10	20	-	4	17	-	-	1.30

STOCK ◎=標準在庫品 // STOCK ○=regular stock | STOCK ○=少量在庫品 // STOCK ○=few stock | STOCK無標示=接單生產品 // STOCK BLANK=on request

■ SlimSuper shrink fit chucks

● 超細型熱膨脹燒結刀桿



動平衡G2.5/25,000RPM或小於1gmm // BALANCE TO G2.5/25,000RPM OR UNDER 1gmm

STOCK	CODE	FIG.	L1	L2	ØD1	ØD2	ØD3	Ød	I1-min. 最短夾持長度 Min. Clamping Length	I2-max. 最長夾持長度 Max. Clamping Length	止動螺絲 (M) Screw Page 153	重量 (KG) Weight
	HSK-A040-EZ06SS-060	64	60	-	12	18	-	6	23	-	-	0.40
	HSK-A040-EZ08SS-060	64	60	-	14	20	-	8	27	-	-	0.40
	HSK-A040-EZ10SS-060	64	60	-	16	22	-	10	32	-	-	0.50
	HSK-A040-EZ12SS-060	64	60	-	18	24	-	12	37	-	-	0.50
STOCK	CODE	FIG.	L1	L2	ØD1	ØD2	ØD3	Ød	I1-min. 最短夾持長度 Min. Clamping Length	I2-max. 最長夾持長度 Max. Clamping Length	止動螺絲 (M) Screw Page 153	重量 (KG) Weight
	HSK-A063-EZ06SS-080	64	80	-	12	18	-	6	23	-	-	0.70
	HSK-A063-EZ06SS-120	64	120	-	12	22	-	6	23	-	-	1.10
	HSK-A063-EZ06SS-150	64	150	-	12	24	-	6	23	-	-	1.40
	HSK-A063-EZ08SS-080	64	80	-	14	20	-	8	27	-	-	0.70
	HSK-A063-EZ08SS-120	64	120	-	14	24	-	8	27	-	-	1.10
	HSK-A063-EZ08SS-150	64	150	-	14	26	-	8	27	-	-	1.40
	HSK-A063-EZ10SS-080	64	80	-	16	22	-	10	32	-	-	0.80
	HSK-A063-EZ10SS-120	64	120	-	16	26	-	10	32	-	-	1.20
	HSK-A063-EZ12SS-120	64	150	-	16	28	-	10	32	-	-	1.50
	HSK-A063-EZ12SS-080	64	80	-	18	24	-	12	37	-	-	0.80
	HSK-A063-EZ12SS-120	64	120	-	18	28	-	12	37	-	-	1.20
	HSK-A063-EZ12SS-150	64	150	-	18	30	-	12	37	-	-	1.50

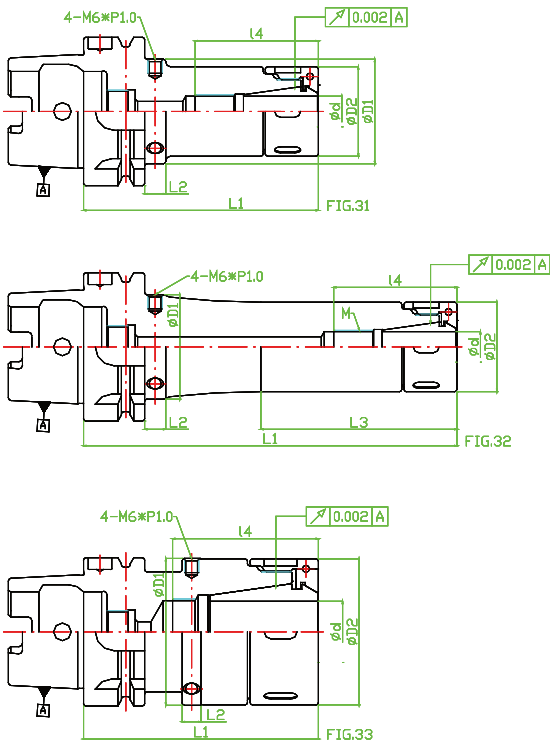
STOCK ◎=標準在庫品 // STOCK ◎=regular stock | STOCK ○=少量在庫品 // STOCK ○=few stock | STOCK 無標示=接單生產品 // STOCK BLANK=on request

HSK-A-SGER

SPEED TIGER

SGER power ER collet chucks

SGER 強力型 ER 筒夾刀桿



100

動平衡G2.5/25,000RPM或小於1gmm // BALANCE TO G2.5/25,000RPM OR UNDER 1gmm

STOCK	CODE	FIG.	L1	L2	L3	l4	D1	D2	d	止動螺絲 (M) Screw Page 154	筒夾 COLLET Page 143	螺帽 NUT Page 151	扳手 WRENCH Page 154	重量 (KG) Weight
	HSK-A032-SGER16-070	33	70	8	-	-	34.4	34	0.5~10.0	-	ER16	N16SGX nano	W-FK04	0.50
	HSK-A032-SGER20-070	33	70	8	-	-	38.4	38	0.5~13.0	-	ER20	N20SGX nano	W-FK05	0.60
	HSK-A032-SGER25-070	33	70	8	-	-	44.4	44	0.5~16.0	-	ER25	N25SGX nano	W-FK06	0.70
STOCK	CODE	FIG.	L1	L2	L3	l4	D1	D2	d	止動螺絲 (M) Screw Page 154	筒夾 COLLET Page 143	螺帽 NUT Page 151	扳手 WRENCH Page 154	重量 (KG) Weight
	HSK-A040-SGER16-070	33	70	8	-	-	34.4	34	0.5~10.0	-	ER16	N16SGX nano	W-FK04	0.50
	HSK-A040-SGER16-100	33	100	8	-	46	34.4	34	0.5~10.0	M11*P1.0	ER16	N16SGX nano	W-FK04	0.70
	HSK-A040-SGER20-070	33	70	8	-	-	38.4	38	0.5~13.0	-	ER20	N20SGX nano	W-FK05	0.60
	HSK-A040-SGER20-100	33	100	8	-	51	38.4	38	0.5~13.0	M14*P1.0	ER20	N20SGX nano	W-FK05	0.80
	HSK-A040-SGER25-070	33	70	8	-	-	44.4	44	0.5~16.0	-	ER25	N25SGX nano	W-FK06	0.70
	HSK-A040-SGER25-100	33	100	8	-	53	44.4	44	0.5~16.0	M18*P1.5	ER25	N25SGX nano	W-FK06	0.90
	HSK-A040-SGER32-070	33	70	8	-	-	52.4	52	2.0~20.0	-	ER32	N32SGX nano	W-FK08	0.80
	HSK-A040-SGER32-100	33	100	8	-	52	52.4	52	2.0~20.0	M24*P1.5	ER32	N32SGX nano	W-FK08	1.00
STOCK	CODE	FIG.	L1	L2	L3	l4	D1	D2	d	止動螺絲 (M) Screw Page 154	筒夾 COLLET Page 143	螺帽 NUT Page 151	扳手 WRENCH Page 154	重量 (KG) Weight
	HSK-A050-SGER16-070	31	70	9	-	-	38.4	34	0.5~10.0	-	ER16	N16SGX nano	W-FK04	0.70
	HSK-A050-SGER16-100	31	100	9	-	46	38.4	34	0.5~10.0	M11*P1.0	ER16	N16SGX nano	W-FK04	0.90
	HSK-A050-SGER20-070	31	70	9	-	-	38.4	34	0.5~10.0	-	ER20	N20SGX nano	W-FK04	0.80
	HSK-A050-SGER20-100	31	100	9	-	51	38.4	38	0.5~13.0	M14*P1.0	ER20	N20SGX nano	W-FK05	1.00
	HSK-A050-SGER25-080	33	80	8	-	-	44.4	44	0.5~16.0	-	ER25	N25SGX nano	W-FK06	0.90
	HSK-A050-SGER25-100	33	100	8	-	53	44.4	44	0.5~16.0	M18*P1.5	ER25	N25SGX nano	W-FK06	1.10
	HSK-A050-SGER32-080	33	80	8	-	-	52.4	52	2.0~20.0	-	ER32	N32SGX nano	W-FK08	1.00
	HSK-A050-SGER32-100	33	100	8	-	52	52.4	52	2.0~20.0	M24*P1.5	ER32	N32SGX nano	W-FK08	1.20
	HSK-A050-SGER40-080	33	80	8	-	-	62.4	62	3.0~26.0	-	ER40	N40SGX nano	W-FK09	1.60
	HSK-A050-SGER40-100	33	100	8	-	-	62.4	62	3.0~26.0	-	ER40	N40SGX nano	W-FK09	1.90

產品FIG.31, 32 & 33出貨附件為高速平衡奈米鋼珠螺帽

NxxSGX nano*1pc // PRODUCTS IN FIG.31, 32 & 33 EQUIP WITH BALANCED NANO BALL BEARING NUT NxxSGX nano*1pc

STOCK ◎=標準在庫品 // STOCK ○=regular stock | STOCK ◯=少量在庫品 // STOCK ◌=few stock | STOCK無標示=接單生產品 // STOCK

BLANK=on request

ER筒夾和扳手是另購品 // ER COLLET AND WRENCH TO BE ORDERED SEPARATELY

HSK-A-SGER SPEED TIGER

■ SGER power ER collet chucks

● SGER 強力型 ER 筒夾刀桿

動平衡G2.5/25,000RPM或小於1gmm // BALANCE TO G2.5/25,000RPM OR UNDER 1gmm

STOCK	CODE	FIG.	L1	L2	L3	I4	D1	D2	d	止動螺絲 (M) Screw Page 154	筒夾 COLLET Page 143	螺帽 NUT Page 151	扳手 WRENCH Page 154	重量 (KG) Weight
	HSK-A063-SGER16-070	31	70	9	-	-	52.4	34	0.5~10.0	-	ER16	N16SGX nano	W-FK04	0.80
	HSK-A063-SGER16-100	31	100	9	-	46	52.4	34	0.5~10.0	M11*P1.0	ER16	N16SGX nano	W-FK04	1.00
	HSK-A063-SGER16-120	31	120	9	-	46	52.4	34	0.5~10.0	M11*P1.0	ER16	N16SGX nano	W-FK04	1.20
	HSK-A063-SGER16-160	32	160	9	86	46	52.4	34	0.5~10.0	M11*P1.0	ER16	N16SGX nano	W-FK04	1.60
	HSK-A063-SGER16-200	32	200	9	126	46	52.4	34	0.5~10.0	M11*P1.0	ER16	N16SGX nano	W-FK04	2.00
	HSK-A063-SGER20-070	31	70	9	-	-	52.4	34	0.5~10.0	-	ER20	N20SGX nano	W-FK04	0.90
	HSK-A063-SGER20-100	31	100	9	-	51	52.4	38	0.5~13.0	M14*P1.0	ER20	N20SGX nano	W-FK05	1.10
	HSK-A063-SGER20-120	31	120	9	-	51	52.4	38	0.5~13.0	M14*P1.0	ER20	N20SGX nano	W-FK05	1.30
	HSK-A063-SGER20-160	32	160	9	86	51	52.4	38	0.5~13.0	M14*P1.0	ER20	N20SGX nano	W-FK05	1.70
	HSK-A063-SGER20-200	32	200	9	126	51	52.4	38	0.5~13.0	M14*P1.0	ER20	N20SGX nano	W-FK05	2.10
	HSK-A063-SGER25-080	31	80	9	-	-	52.4	44	0.5~16.0	-	ER25	N25SGX nano	W-FK06	1.20
	HSK-A063-SGER25-100	31	100	9	-	53	52.4	44	0.5~16.0	M18*P1.5	ER25	N25SGX nano	W-FK06	1.40
	HSK-A063-SGER25-120	31	120	9	-	53	52.4	44	0.5~16.0	M18*P1.5	ER25	N25SGX nano	W-FK06	1.60
	HSK-A063-SGER25-160	31	160	9	-	53	52.4	44	0.5~16.0	M18*P1.5	ER25	N25SGX nano	W-FK06	2.00
	HSK-A063-SGER25-200	31	200	9	-	53	52.4	44	0.5~16.0	M18*P1.5	ER25	N25SGX nano	W-FK06	2.40
	HSK-A063-SGER32-080	31	80	9	-	-	52.4	52	2.0~20.0	-	ER32	N32SGX nano	W-FK08	1.30
	HSK-A063-SGER32-100	31	100	9	-	52	52.4	52	2.0~20.0	M24*P1.5	ER32	N32SGX nano	W-FK08	1.50
	HSK-A063-SGER32-120	31	120	9	-	57	52.4	52	2.0~20.0	M24*P1.5	ER32	N32SGX nano	W-FK08	1.70
	HSK-A063-SGER32-160	31	160	9	-	57	52.4	52	2.0~20.0	M24*P1.5	ER32	N32SGX nano	W-FK08	2.10
	HSK-A063-SGER32-200	31	200	9	-	57	52.4	52	2.0~20.0	M24*P1.5	ER32	N32SGX nano	W-FK08	2.50
	HSK-A063-SGER40-080	33	80	8	-	-	62.4	62	3.0~26.0	-	ER40	N40SGX nano	W-FK09	1.60
	HSK-A063-SGER40-100	33	100	8	-	-	62.4	62	3.0~26.0	-	ER40	N40SGX nano	W-FK09	1.90
	HSK-A063-SGER40-120	33	120	8	-	67	62.4	62	3.0~26.0	M28*P1.5	ER40	N40SGX nano	W-FK09	2.20
	HSK-A063-SGER40-160	33	160	8	-	67	62.4	62	3.0~26.0	M28*P1.5	ER40	N40SGX nano	W-FK09	2.80
	HSK-A063-SGER40-200	33	200	8	-	67	62.4	62	3.0~26.0	M28*P1.5	ER40	N40SGX nano	W-FK09	3.40

產品FIG.31, 32 & 33出貨附件為高速平衡奈米鋼珠螺帽

NxxSGX nano*1pc // PRODUCTS IN FIG.31, 32 & 33 EQUIP WITH BALANCED NANO BALL BEARING NUT NxxSGX nano*1pc

STOCK ◎=標準在庫品 // STOCK ○=regular stock | STOCK ◯=少量在庫品 // STOCK ○=few stock | STOCK無標示=接單生產品 // STOCK

BLANK=on request

ER筒夾和扳手是另購品 // ER COLLET AND WRENCH TO BE ORDERED SEPARATELY

HSK-A-SGER

SGER power ER collet chucks

SGER 強力型 ER 筒夾刀桿

動平衡G2.5/25,000RPM或小於1gmm // BALANCE TO G2.5/25,000RPM OR UNDER 1gmm

STOCK	CODE	FIG.	L1	L2	L3	I4	D1	D2	d	止動螺絲 (M) Screw Page 154	筒夾 COLLET Page 143	螺帽 NUT Page 151	扳手 WRENCH Page 154	重量 (KG) Weight
	HSK-A080-SGER16-100	31	100	9	-	46	62.4	34	0.5~10.0	M11*P1.0	ER16	N16SGX nano	W-FK04	1.60
	HSK-A080-SGER16-160	32	160	9	86	46	62.4	34	0.5~10.0	M11*P1.0	ER16	N16SGX nano	W-FK04	2.20
	HSK-A080-SGER20-100	31	100	9	-	51	62.4	38	0.5~13.0	M14*P1.0	ER20	N20SGX nano	W-FK05	1.70
	HSK-A080-SGER20-160	32	160	9	86	51	62.4	38	0.5~13.0	M14*P1.0	ER20	N20SGX nano	W-FK05	2.30
	HSK-A080-SGER25-100	31	100	9	-	53	62.4	44	0.5~16.0	M18*P1.5	ER25	N25SGX nano	W-FK06	2.00
	HSK-A080-SGER25-160	31	160	9	-	53	62.4	44	0.5~16.0	M18*P1.5	ER25	N25SGX nano	W-FK06	2.60
	HSK-A080-SGER32-100	31	100	9	-	52	62.4	52	2.0~20.0	M24*P1.5	ER32	N32SGX nano	W-FK08	2.10
	HSK-A080-SGER32-160	31	160	9	-	57	62.4	52	2.0~20.0	M24*P1.5	ER32	N32SGX nano	W-FK08	2.70
	HSK-A080-SGER40-100	31	100	9	-	-	62.4	62	3.0~26.0	-	ER40	N40SGX nano	W-FK09	2.50
	HSK-A080-SGER40-160	31	160	9	-	67	62.4	62	3.0~26.0	M28*P1.5	ER40	N40SGX nano	W-FK09	3.40
STOCK	CODE	FIG.	L1	L2	L3	I4	D1	D2	d	止動螺絲 (M) Screw Page 154	筒夾 COLLET Page 143	螺帽 NUT Page 151	扳手 WRENCH Page 154	重量 (KG) Weight
	HSK-A100-SGER16-100	31	100	9	-	46	84.0	34	0.5~10.0	M11*P1.0	ER16	N16SGX nano	W-FK04	2.40
	HSK-A100-SGER16-120	31	120	9	-	46	84.0	34	0.5~10.0	M11*P1.0	ER16	N16SGX nano	W-FK04	2.60
	HSK-A100-SGER16-160	32	160	9	70	46	84.0	34	0.5~10.0	M11*P1.0	ER16	N16SGX nano	W-FK04	3.00
	HSK-A100-SGER16-200	32	200	9	110	46	84.0	34	0.5~10.0	M11*P1.0	ER16	N16SGX nano	W-FK04	3.40
	HSK-A100-SGER20-100	31	100	9	-	51	84.0	38	0.5~13.0	M14*P1.0	ER20	N20SGX nano	W-FK05	2.50
	HSK-A100-SGER20-120	31	120	9	-	51	84.0	38	0.5~13.0	M14*P1.0	ER20	N20SGX nano	W-FK05	2.70
	HSK-A100-SGER20-160	32	160	9	70	51	84.0	38	0.5~13.0	M14*P1.0	ER20	N20SGX nano	W-FK05	3.10
	HSK-A100-SGER20-200	32	200	9	110	51	84.0	38	0.5~13.0	M14*P1.0	ER20	N20SGX nano	W-FK05	3.50
	HSK-A100-SGER25-100	31	100	9	-	53	84.0	44	0.5~16.0	M18*P1.5	ER25	N25SGX nano	W-FK06	2.80
	HSK-A100-SGER25-120	31	120	9	-	53	84.0	44	0.5~16.0	M18*P1.5	ER25	N25SGX nano	W-FK06	3.00
	HSK-A100-SGER25-160	32	160	9	70	53	84.0	44	0.5~16.0	M18*P1.5	ER25	N25SGX nano	W-FK06	3.40
	HSK-A100-SGER25-200	32	200	9	110	53	84.0	44	0.5~16.0	M18*P1.5	ER25	N25SGX nano	W-FK06	3.80
	HSK-A100-SGER32-100	31	100	9	-	52	84.0	52	2.0~20.0	-	ER32	N32SGX nano	W-FK08	2.90
	HSK-A100-SGER32-120	31	120	9	-	57	84.0	52	2.0~20.0	M24*P1.5	ER32	N32SGX nano	W-FK08	3.10
	HSK-A100-SGER32-160	32	160	9	70	57	84.0	52	2.0~20.0	M24*P1.5	ER32	N32SGX nano	W-FK08	3.50
	HSK-A100-SGER32-200	32	200	9	110	57	84.0	52	2.0~20.0	M24*P1.5	ER32	N32SGX nano	W-FK08	3.90
	HSK-A100-SGER40-100	31	100	9	-	-	84.0	62	3.0~26.0	-	ER40	N40SGX nano	W-FK09	3.30
	HSK-A100-SGER40-120	31	120	9	-	67	84.0	62	3.0~26.0	M28*P1.5	ER40	N40SGX nano	W-FK09	3.60
	HSK-A100-SGER40-160	31	160	9	-	67	84.0	62	3.0~26.0	M28*P1.5	ER40	N40SGX nano	W-FK09	4.20
	HSK-A100-SGER40-200	31	200	9	-	67	84.0	62	3.0~26.0	M28*P1.5	ER40	N40SGX nano	W-FK09	4.80

產品FIG.31, 32 & 33出貨附件為高速平衡奈米鋼珠螺帽

NxxSGX nano*1pc // PRODUCTS IN FIG.31, 32 & 33 EQUIP WITH BALANCED NANO BALL BEARING NUT NxxSGX nano*1pc

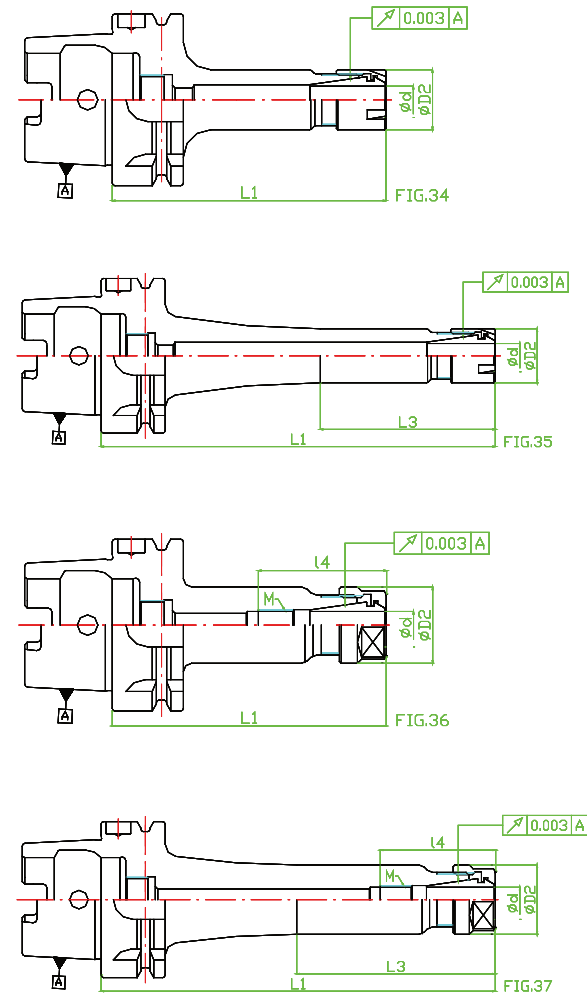
STOCK ◎=標準在庫品 // STOCK ○=regular stock | STOCK ○=少量在庫品 // STOCK ○=few stock | STOCK無標示=接單生產 // STOCK

BLANK=on request

ER筒夾和扳手是另購品 // ER COLLET AND WRENCH TO BE ORDERED SEPARATELY

ERM nut collet chucks & ER collet chucks

ERM 型螺帽筒夾刀桿 & ER 筒夾刀桿



動平衡G2.5/25,000RPM或小於1gmm // BALANCE TO G2.5/25,000RPM OR UNDER 1gmm

STOCK	CODE	FIG.	L1	L2	L3	I4	D1	D2	d	止動螺絲 (M) Screw Page 154	筒夾 COLLET Page 143	螺帽 NUT Page 151	扳手 WRENCH Page 154	重量 (KG) Weight
	HSK-A032-ER11-050	36	50	-	-	-	-	19	0.5~7.0	-	ER11	N11SX nano	W-ER11	0.40
	HSK-A032-ER16-060	36	60	-	-	-	-	28	0.5~10.0	-	ER16	N16SX nano	W-ER16	0.50
	HSK-A032-ER20-060	36	60	-	-	-	-	34	0.5~13.0	-	ER20	N20SX nano	W-ER20	0.60
	HSK-A032-ER25-065	36	65	-	-	-	-	42	0.5~16.0	-	ER25	N25SX nano	W-FK06	0.70
STOCK	CODE	FIG.	L1	L2	L3	I4	D1	D2	d	止動螺絲 (M) Screw Page 154	筒夾 COLLET Page 143	螺帽 NUT Page 151	扳手 WRENCH Page 154	重量 (KG) Weight
	HSK-A040-ER11-080	36	80	-	-	-	-	19	0.5~7.0	-	ER11	N11SX nano	W-ER11	0.50
	HSK-A040-ER16-060	36	60	-	-	-	-	28	0.5~10.0	-	ER16	N16SX nano	W-ER16	0.50
	HSK-A040-ER16-080	36	80	-	-	-	-	28	0.5~10.0	-	ER16	N16SX nano	W-ER16	0.60
	HSK-A040-ER25-070	36	70	-	-	-	-	42	0.5~16.0	-	ER25	N25SX nano	W-FK06	0.70
	HSK-A040-ER25-080	36	80	-	-	-	-	42	0.5~16.0	-	ER25	N25SX nano	W-FK06	0.80
	HSK-A040-ER32-070	36	70	-	-	-	-	50	2.0~20.0	-	ER32	N32SX nano	W-FK08	0.80

產品FIG.34 & 35出貨附件為高速平衡奈米螺帽

NxxMX nano*1pc // PRODUCTS IN FIG.34 & 35 EQUIP WITH BALANCED NANO NUT NxxMX nano*1pc

產品FIG.36 & 37出貨附件為高速平衡奈米螺帽

NxxSX nano*1pc // PRODUCTS IN FIG.36 & 37 EQUIP WITH BALANCED NANO NUT NxxSX nano*1pc

STOCK ○=標準在庫品 // STOCK ●=regular stock | STOCK ○=少量在庫品 // STOCK ○=few stock | STOCK無標示=接單生產品 // STOCK

BLANK=on request

ER筒夾和扳手是另購品 // ER COLLET AND WRENCH TO BE ORDERED SEPARATELY

HSK-A-ERM&ER

ERM nut collet chucks & ER collet chucks

ERM 型螺帽筒夾刀桿 & ER 筒夾刀桿

動平衡G2.5/25,000RPM或小於1gmm/BALANCETO G2.5/25,000RPMOR UNDER 1gmm

STOCK	CODE	FIG.	L1	L2	L3	I4	D1	D2	d	止動螺絲 (M) Screw Page 154	筒夾 COLLET Page 143	螺帽 NUT Page 151	扳手 WRENCH Page 154	重量 (KG) Weight
	HSK-A050-ER16-060	36	60	-	-	-	-	28	0.5~10.0	-	ER16	N16SXnano	W-ER16	0.60
	HSK-A050-ER16-100	36	100	-	-	46	-	28	0.5~10.0	M11*P1.0	ER16	N16SXnano	W-ER16	0.90
	HSK-A050-ER25-070	36	70	-	-	-	-	42	0.5~16.0	-	ER25	N25SXnano	W-FK06	0.80
	HSK-A050-ER25-100	36	100	-	-	53	-	42	0.5~16.0	M18*P1.5	ER25	N25SXnano	W-FK06	1.10
	HSK-A050-ER32-080	36	80	-	-	-	-	50	2.0~20.0	-	ER32	N32SXnano	W-FK08	1.00
	HSK-A050-ER32-100	36	100	-	-	52	-	50	2.0~20.0	M24*P1.5	ER32	N32SXnano	W-FK08	1.20
STOCK	CODE	FIG.	L1	L2	L3	I4	D1	D2	d	止動螺絲 (M) Screw Page 154	筒夾 COLLET Page 143	螺帽 NUT Page 151	扳手 WRENCH Page 154	重量 (KG) Weight
	HSK-A063-ER11M-100	34	100	-	-	-	-	16	0.5~7.0	-	ER16	N11MXnano	W-ER11M	0.80
	HSK-A063-ER11M-160	34	160	-	-	-	-	16	0.5~7.0	-	ER16	N11MXnano	W-ER11M	1.40
	HSK-A063-ER16M-100	34	100	-	-	-	-	22	0.5~10.0	-	ER16	N16MXnano	W-ER16M	0.90
	HSK-A063-ER16M-160	35	160	-	70	-	36	22	0.5~10.0	-	ER16	N16MXnano	W-ER16M	1.50
	HSK-A063-ER25M-100	34	100	-	-	-	-	35	0.5~16.0	-	ER25	N25MXnano	W-ER25M	1.30
	HSK-A063-ER25M-160	35	160	-	70	-	45	35	0.5~16.0	-	ER25	N25MXnano	W-ER25M	1.90
	HSK-A063-ER11-075	36	75	-	-	-	-	19	0.5~7.0	-	ER11	N11SXnano	W-ER11	0.70
	HSK-A063-ER16-075	36	75	-	-	-	-	28	0.5~10.0	-	ER16	N16SXnano	W-ER16	0.80
	HSK-A063-ER16-100	36	100	-	-	46	-	28	0.5~10.0	M11*P1.0	ER16	N16SXnano	W-ER16	1.00
	HSK-A063-ER16-160	37	160	-	86	46	36	28	0.5~10.0	M11*P1.0	ER16	N16SXnano	W-ER16	1.60
	HSK-A063-ER25-075	36	75	-	-	-	-	42	0.5~16.0	-	ER25	N25SXnano	W-FK06	1.20
	HSK-A063-ER25-100	36	100	-	-	53	-	42	0.5~16.0	M18*P1.5	ER25	N25SXnano	W-FK06	1.40
	HSK-A063-ER25-160	36	160	-	-	53	-	42	0.5~16.0	M18*P1.5	ER25	N25SXnano	W-FK06	2.00
	HSK-A063-ER32-075	36	75	-	-	-	-	50	2.0~20.0	-	ER32	N32SXnano	W-FK08	1.30
	HSK-A063-ER32-100	36	100	-	-	52	-	50	2.0~20.0	M24*P1.5	ER32	N32SXnano	W-FK08	1.50
	HSK-A063-ER32-160	36	160	-	-	57	-	50	2.0~20.0	M24*P1.5	ER32	N32SXnano	W-FK08	2.10
	HSK-A063-ER40-085	36	85	-	-	-	-	63	3.0~26.0	-	ER40	N40SXnano	W-FK09	1.60
	HSK-A063-ER40-120	36	120	-	-	67	-	63	3.0~26.0	M28*P1.5	ER40	N40SXnano	W-FK09	2.20
	HSK-A063-ER40-160	36	160	-	-	67	-	63	3.0~26.0	M28*P1.5	ER40	N40SXnano	W-FK09	2.80
STOCK	CODE	FIG.	L1	L2	L3	I4	D1	D2	d	止動螺絲 (M) Screw Page 154	筒夾 COLLET Page 143	螺帽 NUT Page 151	扳手 WRENCH Page 154	重量 (KG) Weight
	HSK-A080-ER16-100	36	100	-	-	46	-	28	0.5~10.0	M11*P1.0	ER16	N16SXnano	W-ER16	1.60
	HSK-A080-ER16-160	37	160	-	86	46	36	28	0.5~10.0	M11*P1.0	ER16	N16SXnano	W-ER16	2.20
	HSK-A080-ER25-100	36	100	-	-	53	-	42	0.5~16.0	M18*P1.5	ER25	N25SXnano	W-FK06	2.00
	HSK-A080-ER25-160	36	160	-	-	53	-	42	0.5~16.0	M18*P1.5	ER25	N25SXnano	W-FK06	2.60
	HSK-A080-ER32-100	36	100	-	-	52	-	50	2.0~20.0	M24*P1.5	ER32	N32SXnano	W-FK08	2.10
	HSK-A080-ER32-160	36	160	-	-	57	-	50	2.0~20.0	M24*P1.5	ER32	N32SXnano	W-FK08	2.70
STOCK	CODE	FIG.	L1	L2	L3	I4	D1	D2	d	止動螺絲 (M) Screw Page 154	筒夾 COLLET Page 143	螺帽 NUT Page 151	扳手 WRENCH Page 154	重量 (KG) Weight
	HSK-A100-ER16-100	36	100	-	-	46	-	28	0.5~10.0	M11*P1.0	ER16	N16SXnano	W-ER16	2.40
	HSK-A100-ER16-160	37	160	-	70	46	40	28	0.5~10.0	M11*P1.0	ER16	N16SXnano	W-ER16	3.00
	HSK-A100-ER16-200	37	200	-	110	46	40	28	0.5~10.0	M11*P1.0	ER16	N16SXnano	W-ER16	3.40
	HSK-A100-ER25-100	36	100	-	-	53	-	42	0.5~16.0	M18*P1.5	ER25	N25SXnano	W-FK06	2.80
	HSK-A100-ER25-160	37	160	-	70	53	50	42	0.5~16.0	M18*P1.5	ER25	N25SXnano	W-FK06	3.40
	HSK-A100-ER25-200	37	200	-	110	53	50	42	0.5~16.0	M18*P1.5	ER25	N25SXnano	W-FK06	3.80
	HSK-A100-ER32-100	36	100	-	-	52	-	50	2.0~20.0	M24*P1.5	ER32	N32SXnano	W-FK08	2.90
	HSK-A100-ER32-160	37	160	-	70	57	54	50	2.0~20.0	M24*P1.5	ER32	N32SXnano	W-FK08	3.50
	HSK-A100-ER32-200	37	200	-	110	57	54	50	2.0~20.0	M24*P1.5	ER32	N32SXnano	W-FK08	3.90
	HSK-A100-ER40-120	36	120	-	-	67	-	63	3.0~26.0	M28*P1.5	ER40	N40SXnano	W-FK09	3.60
	HSK-A100-ER40-160	36	160	-	-	67	-	63	3.0~26.0	M28*P1.5	ER40	N40SXnano	W-FK09	4.20
	HSK-A100-ER40-200	36	200	-	-	67	-	63	3.0~26.0	M28*P1.5	ER40	N40SXnano	W-FK09	4.80

產品FIG.34&35出貨附件為高速平衡奈米螺帽

NxxMXnano*1pc//PRODUCTSINFIG.34&35EQUIPWITHBALANCEDNANONUTNxxMXnano*1pc

產品FIG.36&37出貨附件為高速平衡奈米螺帽

NxxSXnano*1pc//PRODUCTSINFIG.36&37EQUIPWITHBALANCEDNANONUTNxxSXnano*1pc

STOCK◎=標準在庫品//STOCK◎=regularstock|STOCK○=少量在庫品//STOCK○=fewstock|STOCK無標示=接單生產品//STOCKBLANK=onrequest
ER筒夾和扳手是另購品 // ER COLLET AND WRENCH TO BE ORDERED SEPARATELY